

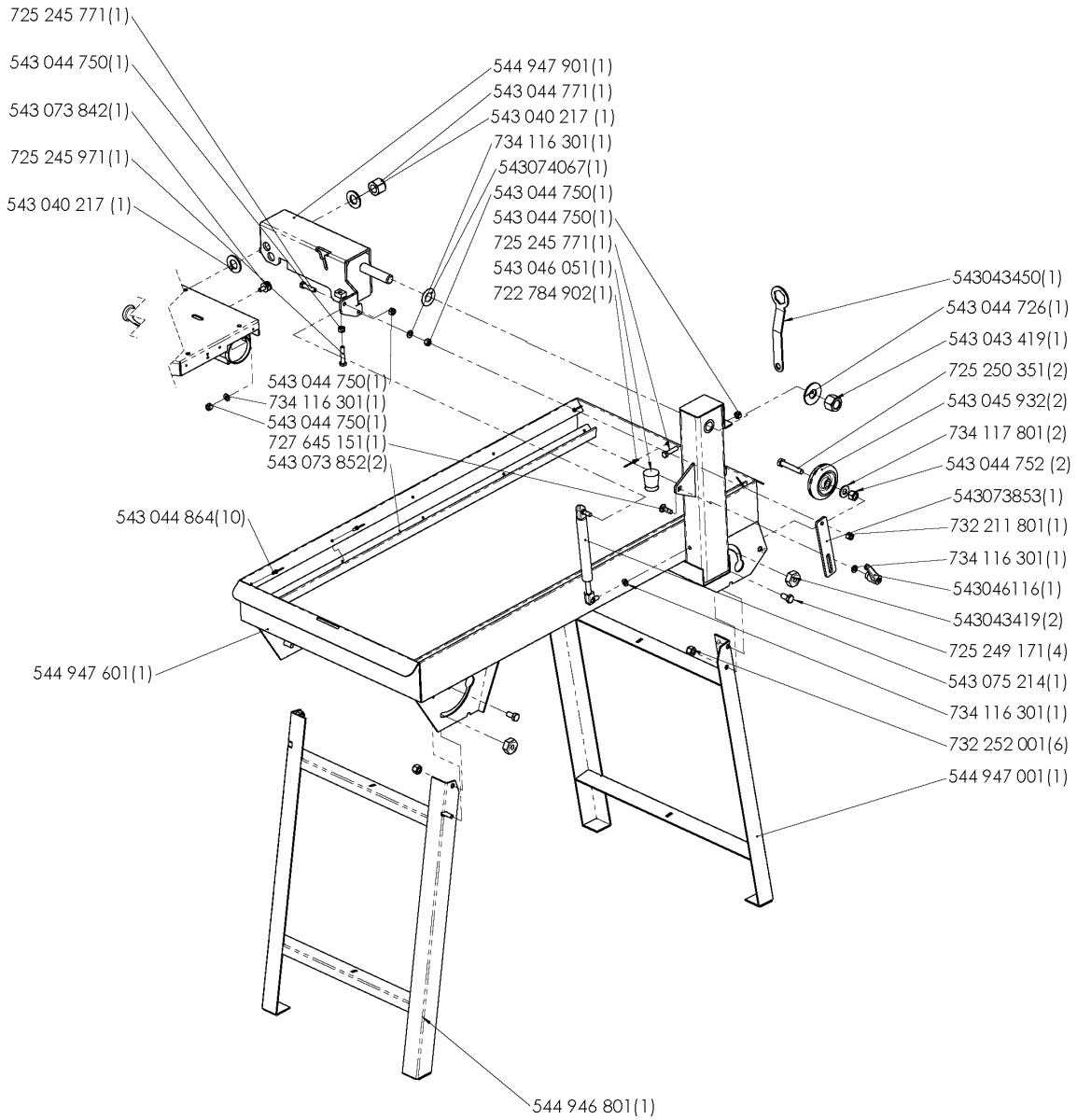


# SPARE PARTS LIST

TILE SAWS

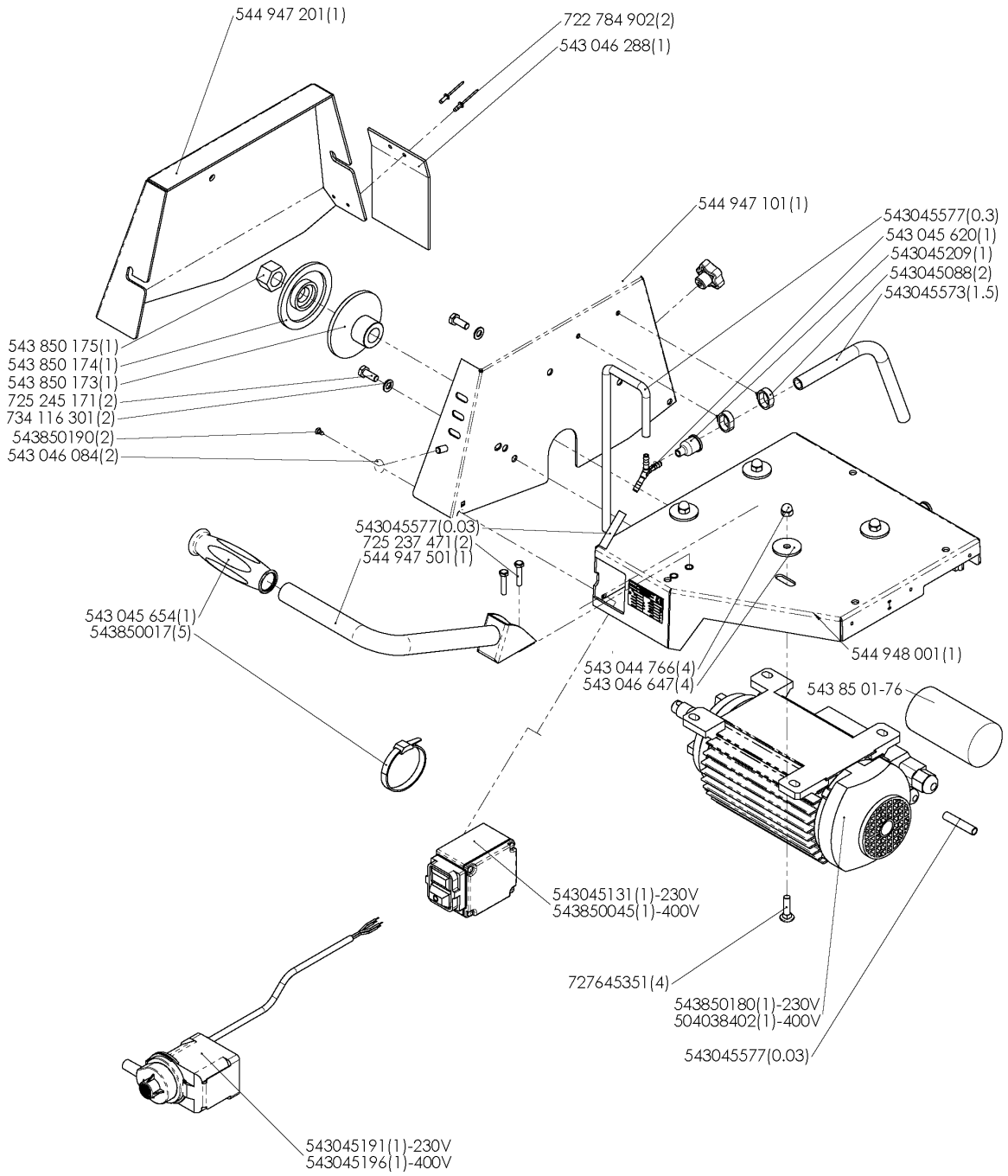
TS300 E, 2007-11

**A**



Ref	Part No	Description	Remark	QTY KIT
543043450	543 04 34-50	WRENCH		1
543 040 217	543 04 02-17	RONDELLE ACIER M20 BICHR/		1
543 040 217	543 04 02-17	RONDELLE ACIER M20 BICHR/		1
543 043 419	543 04 34-19	LEGS NUT		1
543043419	543 04 34-19	LEGS NUT		2
543 044 726	543 04 47-26	RONDELLE LAITON 36X21X3/		1
543 044 750	543 04 47-50	NUT		1
543 044 750	543 04 47-50	NUT		1
543 044 750	543 04 47-50	NUT		1
543 044 750	543 04 47-50	NUT		1
543 044 750	543 04 47-50	NUT		1
543 044 752	543 04 47-52	NUT		2
543 044 771	543 04 47-71	ECROU HU 20/150 A30 BICH/		1
543 044 864	543 04 48-64	RIVET INOX 4.8X9/		10
543 045 932	543 04 59-32	WHEEL		2
543 046 051	543 04 60-51	PLUG		1
543046116	543 04 61-16	TURNING KNOB		1
543 073 842	543 07 38-42	CENTERINGTS300E		1
543 073 852	543 07 38-52	TISCHVERLAENGERUNG		2
543073853	543 07 38-53	HEAD STOPTS300E		1
543074067	543 07 40-67	CLINQUANT 40X20.2X0.5		1
543 075 214	543 07 52-14	SPRING		1
544 946 801(1)	544 94 68-01	LEGS		1
544 947 001(1)	544 94 70-01	LEGS		1
544 947 601(1)	544 94 76-01	TANK		1
544 947 901(1)	544 94 79-01	ARM		1
722 784 902(1)	722 78 49-02	BLIND RIVET		1
725 245 771(1)	725 24 57-71	SCREW EHHM		1
725 245 771(1)	725 24 57-71	SCREW EHHM		1
725 245 971(1)	725 24 59-71	SCREW		1
725 249 171(4)	725 24 91-71	SCREW EHHM		4
725 250 351(2)	725 25 03-51	SCREW EHHM		2
727 645 151(1)	727 64 51-51	SCREW		1
732 211 801(1)	732 21 18-01	LOCK NUT		1
732 252 001(6)	732 25 20-01	HEXAGON LOCKING NUT		6
734 116 301(1)	734 11 63-01	WASHER		1
734 116 301(1)	734 11 63-01	WASHER		1
734 116 301(1)	734 11 63-01	WASHER		1
734 116 301(1)	734 11 63-01	WASHER		1
734 117 801(2)	734 11 78-01	WASHER		2

B

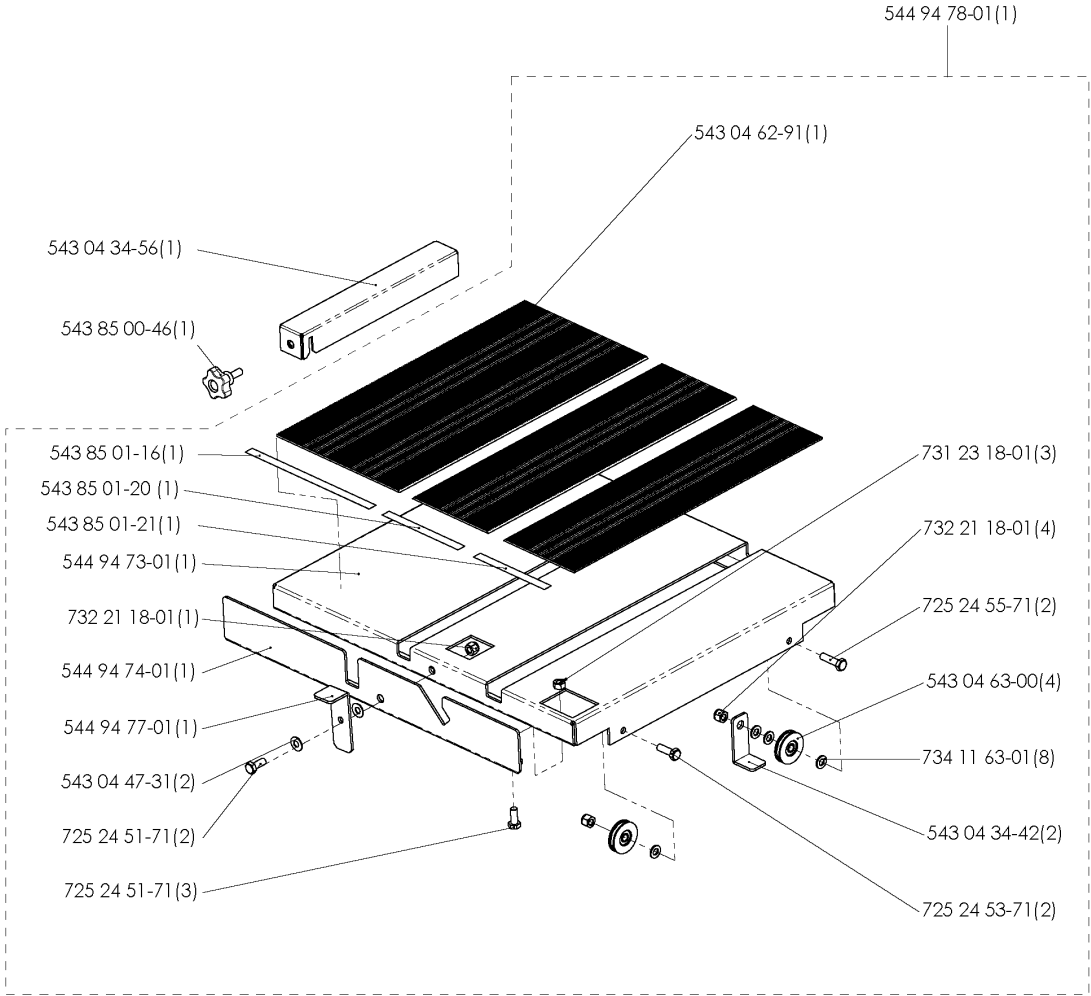


## MOTOR AND BLADEGUARDS

TS300 E, 2007-11

Ref	Part No	Description	Remark	QTY KIT
504038402	504 03 84-02	MOTOR		1
543 044 766	543 04 47-66	NUT		4
543045088	543 04 50-88	COLLIER SUPPORT D/19/		2
543045131	543 04 51-31	SWITCH COMMUN 230V 40487/		1
543045191	543 04 51-91	PUMP		1
543045196	543 04 51-96	PUMP		1
543045209	543 04 52-09	HUB CAP		1
543045573	543 04 55-73	HOSE		1
543045577	543 04 55-77	HOSE		1
543045577	543 04 55-77	HOSE		1
543045577	543 04 55-77	HOSE		1
543 045 620	543 04 56-20	RACCORD PP CANNELE Y/DIAM INT		1
543 045 654	543 04 56-54	HANDLE		1
543 046 084	543 04 60-84	STEERING WHEEL		2
543 046 288	543 04 62-88	BAVETTE TS 300E/		1
543 046 647	543 04 66-47	WASHER		4
543850017	543 85 00-17	TIE STRAP		5
543850045	543 85 00-45	SWITCH		1
543 850 173	543 85 01-73	FLANGE		1
543 850 174	543 85 01-74	FLANGE		1
543850174	501 92 53-01	FLANGE	AUS	1
543 850 175	543 85 01-75	NUT		1
543850180	543 85 01-80	MOTOR		1
543850190	543 85 01-90	SCREW		2
544 947 101	544 94 71-01	BLADE GUARD		1
544 94 72 01(1)	544 94 72-01	BLADE GUARD		1
544 947 501	544 94 75-01	SUPPORT		1
544 948 001	544 94 80-01	MOTOR ASSY		1
722 784 902	722 78 49-02	BLIND RIVET		2
725 237 471	725 23 74-71	SCREW EHHM		2
725 245 171	725 24 51-71	SCREW EHHM		2
727645351	727 64 53-51	SCREW		4
734 11 63-01	734 11 63-01	WASHER		2
543 85 01-76	543 85 01-76	CAPACITOR		1

C



## MOWER DECK / CUTTING DECK

TS300 E, 2007-11

Part No	Description	Remark	QTY KIT
543 04 34-42	PINNING TABLE/		2
543 04 34-56	CUTTING GUIDE/		1
543 04 47-31	RONDEL RESSOR 18X8,2X1/		2
543 04 62-91	TAPIS TABLE 40333/		1
543 04 63-00	FRETTE ACIER 40X9 608ZZ/		4
543 85 00-46	SCREW		1
543 85 01-16	Ruler, left, TS300		1
543 85 01-20	Ruler, middle, TS300		1
543 85 01-21	Ruler, right, TS300		1
544 94 73-01	TABLE		1
544 94 74-01	MATERIAL STOP/		1
544 94 77-01	PIVOTING STOP/		1
544 94 78-01	TABLE		1
725 24 51-71	SCREW EHHM		2
725 24 51-71	SCREW EHHM		3
725 24 53-71	SCREW EHHM		2
725 24 55-71	SCREW EHHM		2
731 23 18-01	HEXAGON NUT		3
732 21 18-01	LOCK NUT		4
732 21 18-01	LOCK NUT		1
734 11 63-01	WASHER		8